



FOR A BETTER IMPRESSION

# HP® 4515, 4015, 4014

FOR INTERNAL USE ONLY

New Product Release  
Reference Guide

**Only 4 Months after OEM Release,**  
a Complete Comprehensive System Solution™ from the  
DELACAMP®/MK Imaging™ Research and Development Centers



HP® LaserJet P4014™



HP® LaserJet P4015™



HP® LaserJet P4515™

- At 62 ppm the 4515 is the fastest laser printer ever
- Further evidence that HP has designs on larger market share in the enterprise channel
- HP promotes super-low melt-point toner as being low on emissions and environmentally friendly

Printer	Color	Yield (Std)	PPM	OEM Cart Price (Std)	Replacing	HP Positioning	Printer Cost
4014	Black	10,000K (LY) ; 24,000K (HY)	45	€120	HP4240	Workgroup	€679
4015	Black	10,000K (LY) ; 24,000K (HY)	52	€270	HP4250	Workgroup	€1,089
4515	Black	10,000K (LY) ; 24,000K (HY)	62	€270	HP4350	Workgroup	€1,519

## OEM Performance

### Duty Cycle P4014

Average: 5,000-20,000 single-sided pages per month  
Maximum: 175,000 single-sided pages per month

### Duty Cycle P4015

Average: 5,000-20,000 single-sided pages per month  
Maximum: 225,000 single-sided pages per month

### Duty Cycle P4515

Average: 5,000-20,000 single-sided pages per month  
Maximum: 275,000 single-sided pages per month

## OEM Versus DELACAMP

Printer	Yield	Density	Background	MG/PP	Transfer Efficiency
<b>CC364A Cartridge</b>					
OEM	13,005	1.47	0.005	37.98	93%
DELACAMP					
<b>CC364X Cartridge</b>					
OEM	31,417	1.47	0.003	32.49	93%
DELACAMP					

## Key Components



**OPC** • Due to the fast speeds and page counts of this application, it is recommended that you change the OPC every time.

**Toner** • HP's toner is a hybrid polyester/styrene toner with a very low melt point.

**Wiper blade** • We recommend changing every time

**Seal** • Split hopper

**Chip** • Available and fully functional

**Doctor blade, mag roller and PCR** • 2 cycles each

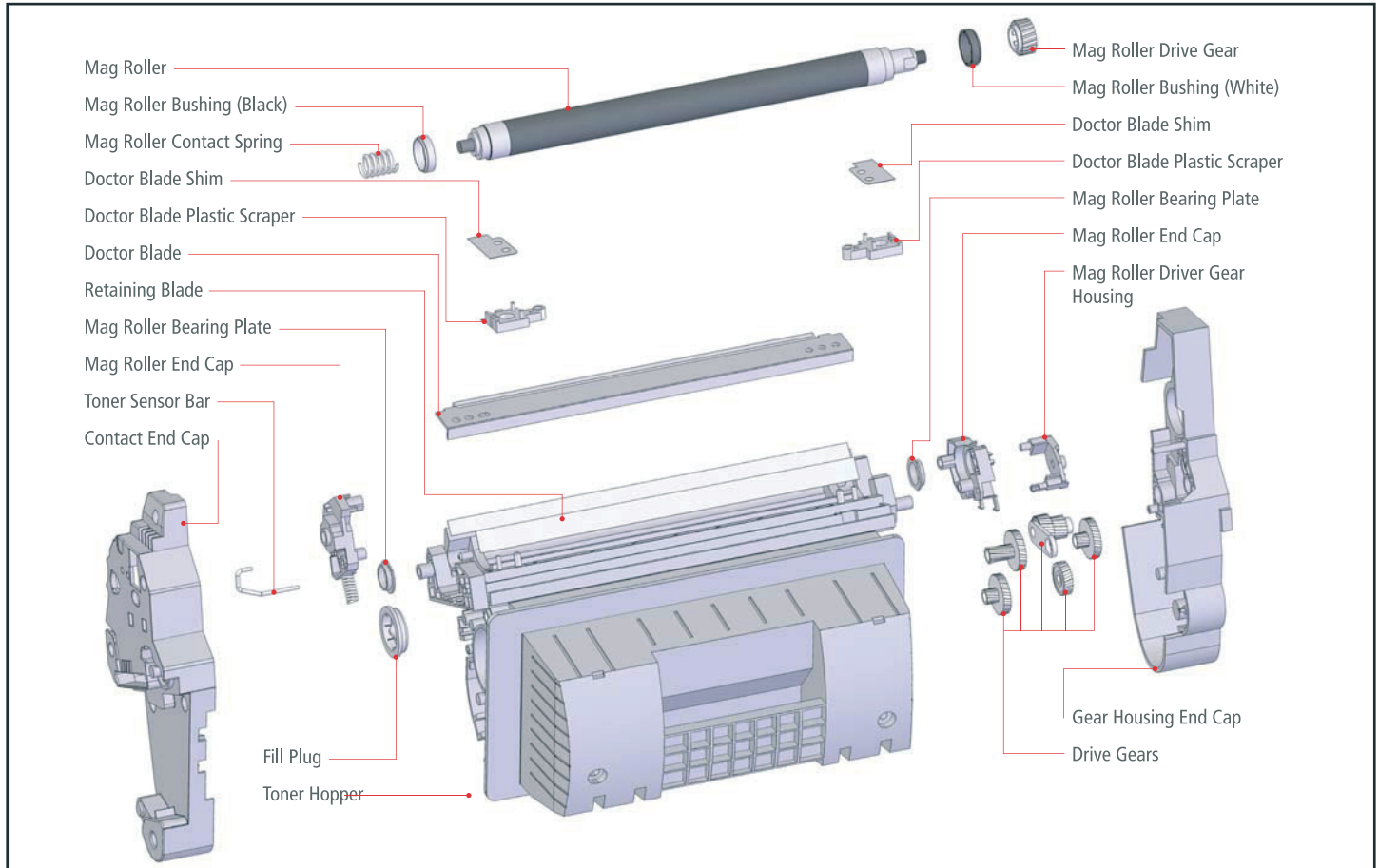
## DELACAMP Solution:

We have developed a low melt point polyester toner that exhibits no fusing difficulties.

DELACAMP Article Code	DESCRIPTION	PACK QTY	ENGINE COMPATIBILITY
20484	MK Imaging Toner Bottle, High Yield	1/10	HP P4014/P4015/P4515
20483	MK Imaging Toner Bottle, Standard Yield	1/10	HP P4014/P4015/P4515
20481	MK Imaging Toner Bag, 10 kg	1	HP P4014/P4015/P4515
20482	MK Imaging Toner Barrel, 100 kg	1	HP P4014/P4015/P4515
19114	MK Imaging Drum- gears, paper, no powder	100	HP P4014/P4015/P4515
19822	MK Imaging Drum- gears, paper, no powder	5	HP P4014/P4015/P4515
980627	Chip, Standard Yield (10k), single pack	1	HP P4014/P4015/P4515
980628	Chip, Standard Yield (24k), single pack	1	HP P4014/P4015/P4515
30046	Wiper Blade	1	HP P4014/P4015/P4515
TBA	Doctor Blade	1	HP P4014/P4015/P4515
TBA	PCR	1	HP P4014/P4015/P4515
TBA	MRS	1	HP P4014/P4015/P4515
50024	Recovery Blade	1	HP P4014/P4015/P4515
990170	Toner Hopper with Seal	1	HP P4014/P4015/P4515
990168	Toner Hopper without Seal	1	HP P4014/P4015/P4515
19822	OPC	1	HP P4014/P4015/P4515
50024	Recovery Blade	1	HP P4014/P4015/P4515
61036	Bottom Metal Clip	1	HP P4014/P4015/P4515
61031	Top Metal Clip	1	HP P4014/P4015/P4515
60160	Mag Roller Stabilizer Bearing	1	HP P4014/P4015/P4515
60159	Mag Roller Wiper	1	HP P4014/P4015/P4515
60155	Mag Roller Sealing Blade	1	HP P4014/P4015/P4515
60154	Retaining Blade	1	HP P4014/P4015/P4515
61032	Shipping Lock	1	HP P4014/P4015/P4515
50023	Plastic Seal double sided tape	1	HP P4014/P4015/P4515
50025	Foam Seal	1	HP P4014/P4015/P4515
60901	Filler Cap	1	HP P4014/P4015/P4515

# HP® P4515™ Toner Hopper

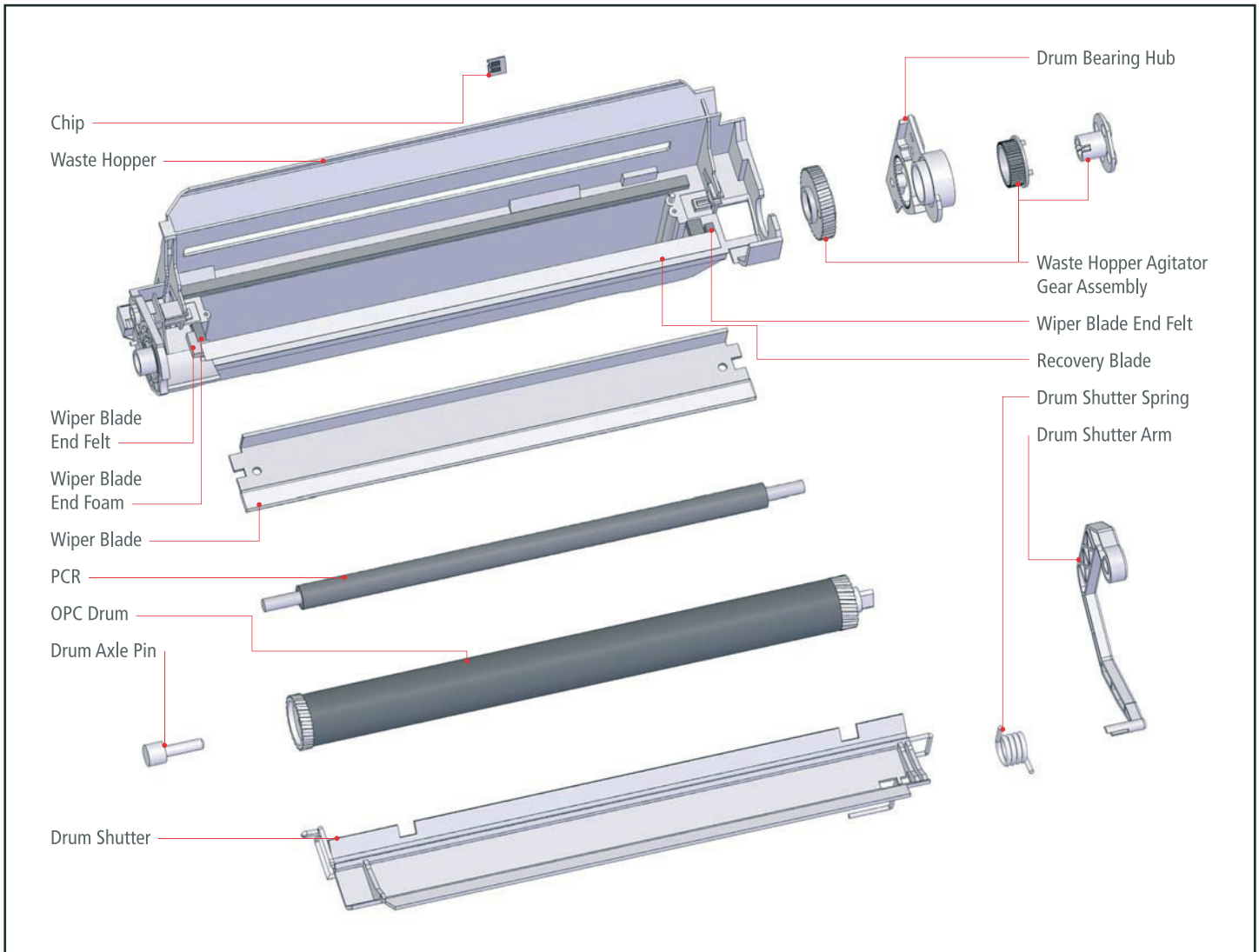
## Critical Component Analysis



COMPONENT/DESCRIPTION	REPLACEMENT FREQUENCY
Mag Roller	2
Mag Roller Bushing (Black)	3
Mag Roller Contact Spring	3
Doctor Blade Shim	3
Doctor Blade Plastic Scraper	3
Doctor Blade	2
Retaining Blade	2
Mag Roller Bearing Plate	3
Mag Roller End Cap	3
Toner Sensor Bar	3
Contact End Cap	3
Fill Plug	2
Toner Hopper	3
Mag Roller Drive Gear	3
Mag Roller Bushing (White)	3
Doctor Blade Shim	3
Doctor Blade Plastic Scraper	3
Mag Roller Bearing Plate	3
Mag Roller End Cap	3
Mag Roller Driver Gear Housing	3
Gear Housing End Cap	3
Drive Gears	3

# HP® P4515™ Waste Hopper

## Critical Component Analysis



COMPONENT/DESCRIPTION	REPLACEMENT FREQUENCY
Chip	1
Waste Hopper	3
Wiper Blade End Felt	3
Wiper Blade End Foam	3
Wiper Blade	1
PCR	2
OPC Drum	1
Drum Axle Pin	3
Drum Shutter	3
Drum Bearing Hub	3
Waste Hopper Agitator Gear Assembly	3
Wiper Blade End Felt	3
Recovery Blade	3
Drum Shutter Spring	3
Drum Shutter Arm	3