



FOR A BETTER IMPRESSION

HP® P2035, P2035n, P2055dn, P2055x

New Product Release
Reference Guide

First Look P2035/P2055 a Complete Solution



HP® LaserJet P2035™



HP® LaserJet P2035n™



HP® LaserJet P2055dn™



HP® LaserJet P2055x™

- Compact design
- Black Print Cartridge (CE505A) yields 2,300 standard pages
- Black Print Cartridge (CE505X) yields 6,500 standard pages (P2055 family only)

Printer Models	Printer Cost	Engine Type	PPM	OEM Cart Yield	OEM Cart Price	Replacing	HP Positioning
P2035	€199*	Monochrome	30	2,300	€87	P2014/1160	SOHO
P2035n	€249*	Monochrome	30	2,300	€87	P2014/1320	SOHO
P2055dn	€399*	Monochrome	35	2,300 6,500	€87 €159	P2015	SOHO
P2055x	€499*	Monochrome	35	2,300 6,500	€87 €159	P2015	SOHO

incl. 19%

Cost Per Page	standard K – 3.8¢	high yield K – 2.4¢
----------------------	--------------------------	----------------------------

OEM Performance

Duty Cycle P2035
Recommended: 500-2,500 pgs/month
Maximum: 25,000 pgs

Duty Cycle P2055
Recommended: 750-3,000 pgs/month
Maximum: 50,000 pgs

OEM

Printer	Cartridges	Background	MG/P	Yield	Fill WT	ID
P2035	CE505A	.005	34.8	2,800	112	1.45
P2055	CE505A	.009	35.6	2,300	112	1.44
P2055	CE505X	.005	35.6	7,675	288	1.42

DELACAMP

Printer	Cartridges	Background	MG/P	Yield	Fill WT	ID
P2035	CE505A	.002	33.6	3,300	115	1.41
P2055	CE505A	N/A	N/A	N/A	115	N/A
P2055	CE505X	.002	34.9	7,950	290	1.40

Key Components

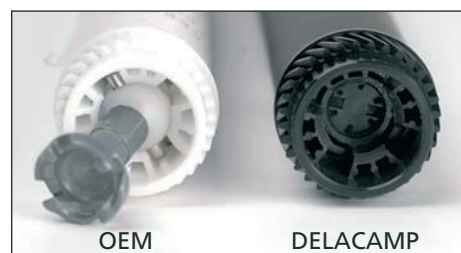
- Pulverized Styrene acrylic toner
- Low melt toner
- New drum with new drive element & thinner coating thickness (to reduce chatter)
- New wiper blade
- Generation 4 chip

Remanufacturing Obstacles

- Toner hopper end caps sonically welded to toner hopper

Development Obstacles

- Patent pending drum drive gear element



DELACAMP Response:

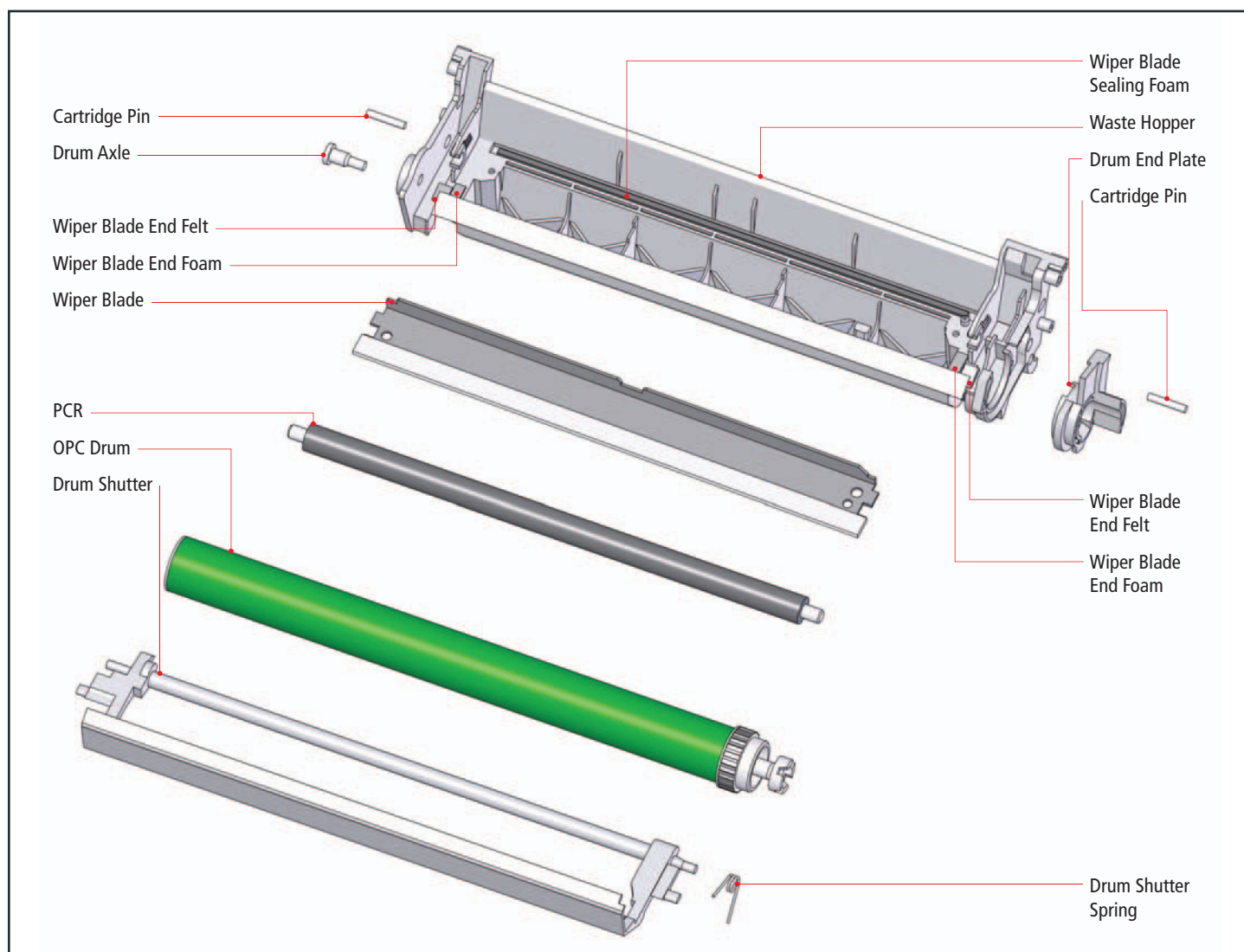
- Development of new low-melt toner formulation designed specifically for HP P2035/P2025
- Designed non-infringing drive gear
- Developed patent-pending procedure to reuse the OEM drive element
- Developed new method to attach contact end cap to toner hopper
- Low ID initial revolutions; new doctor blade minimizes this
- Thinner drum thickness may result in OEM drum wear in 2nd cycle
- For optimal ID use new DELACAMP drum (1.41)

HP P2035/P2055

DESCRIPTION	PART NUMBER
Dedicated Chips	983093, 983094
HP P2035/ P2055 Toner 10 kg bag	20532
HP P2035/ P2055 Toner 100 kg barrel	20533
HP P2035/ P2055 Toner 115 gr. bottle UT 1925	20534
HP P2035/ P2055 Toner 290 gr. bottle UT 1925	20535
Drum	19830, 19330
Seal	TBA
Seal Pull Tab	TBA
Doctor Blade	In test/ available soon
Wiper Blade	TBA
Waste Section	TBA
Enlarged Hopper	TBA
Drum Drive Axle Removal Tool	61035

HP® P2055™ Waste Hopper

Critical Component Analysis



COMPONENT/DESCRIPTION	REPLACEMENT FREQUENCY
Waste Hopper	3
Wiper Blade Sealing Foam	3
Wiper Blade End Felt	3
Wiper Blade End Foam	3
Wiper Blade	2
PCR	3
OPC Drum	1
Chip	1
Drum Bearing End Plate	3
Recovery Blade	3
Cartridge Pin	3