



FOR A BETTER IMPRESSION

HP® CP3525dn, CP3525n, CP3525x CM3530, CM3530fs

New Product Release
Reference Guide

First Look CP3525/CM3530 a Complete Solution



HP® Color LaserJet CP3525dn™



HP® Color LaserJet CP3525n™



HP® Color LaserJet CP3525x™



HP® Color LaserJet CM3530™



HP® Color LaserJet CM3530fs™

- Ideal for SMBs
- Print speeds up to 30 ppm
- 1st page in less than 11 seconds
- Black prints for same cost as monochrome HP LaserJet

Printer Models	Printer Cost	Engine Type	PPM	OEM Cart Yield	OEM Cart Price	Replacing	HP Positioning
CP3525dn	€839	Color	30 Mono/Color	5,000 - Black	€132	Color LaserJet CP3505	SMB
CP3525n	€689	Color	30 Mono/Color	10,500 - Black	€192	Color LaserJet CP3505	SMB
CP3525x	€1,079	Color	30 Mono/Color	7,000 - Cyan	€259	Color LaserJet CP3505	SMB
CM3530	€2,439	Color - MFP	30 Mono/Color	7,000 - Magenta	€259	Addition to HP's Line	SMB
CM3530fs	€2,999	Color - MFP	30 Mono/Color	7,000 - Yellow	€259	Addition to HP's Line	SMB

Cost Per Page	standard K – 2.6¢	high yield K – 1.8¢	Color – 13¢
----------------------	-------------------	---------------------	-------------

OEM Performance

Duty Cycle CP3525
Recommended: 1,500-5,000 pgs/month
Maximum: 75,000 pgs

Duty Cycle CM3530
Recommended: 2,000-6,000 pgs/month
Maximum: 75,000 pgs

OEM

Cartridges	Density	Background	TRAN %	MG/P	Yield	Fill WT
Black - CE250x	1.29	.003	90%	12.6	12,260	200
Black - CE250A	1.32	.003	88%	12.4	6,144	126
Cyan - CE251A	1.25	.003	92%	14.9	6,149	138
Magenta - CE253A	1.37	.003	94%	17.7	5,565	141
Yellow - CE252A	.093	.003	96%	18.5	5,422	141

DELACAMP

Cartridges	Density	Background	TRAN %	MG/P	Yield	Fill WT
Black - CE250x	1.33	.004	94%	13.9	11,762	220
Black - CE250A	1.32	.003	93%	14.4	6,190	130
Cyan - CE251A	1.36	.004	93%	12.9	7,287	140
Magenta - CE253A	1.30	.004	93%	14.2	6,809	140
Yellow - CE252A	1.06	.004	92%	15.5	6,378	140

Key Components

- Chemical toner / OEM toner 5.5 microns

- New developer roller
- New doctor blade
- New seal

- New drum
- New wiper blade
- Generation 4 chip

DELACAMP Comments:

- Toner development engineers developed new toner particle specifically for HP CP3525

Cartridge Design

- New
- Tested under environmental extremes

Fixtures

- New sealing insertion fixture with seal alignment and seal pressure tools
- New doctor blade alignment fixture with fillhole drill guide

Remanufacturing Obstacles

- Doctor blade placement
- Internal seal pulling mechanism
- Floating developer roller drive gear

Development Obstacles

- New generation chemical toner 5-6 micron
- Seal installation

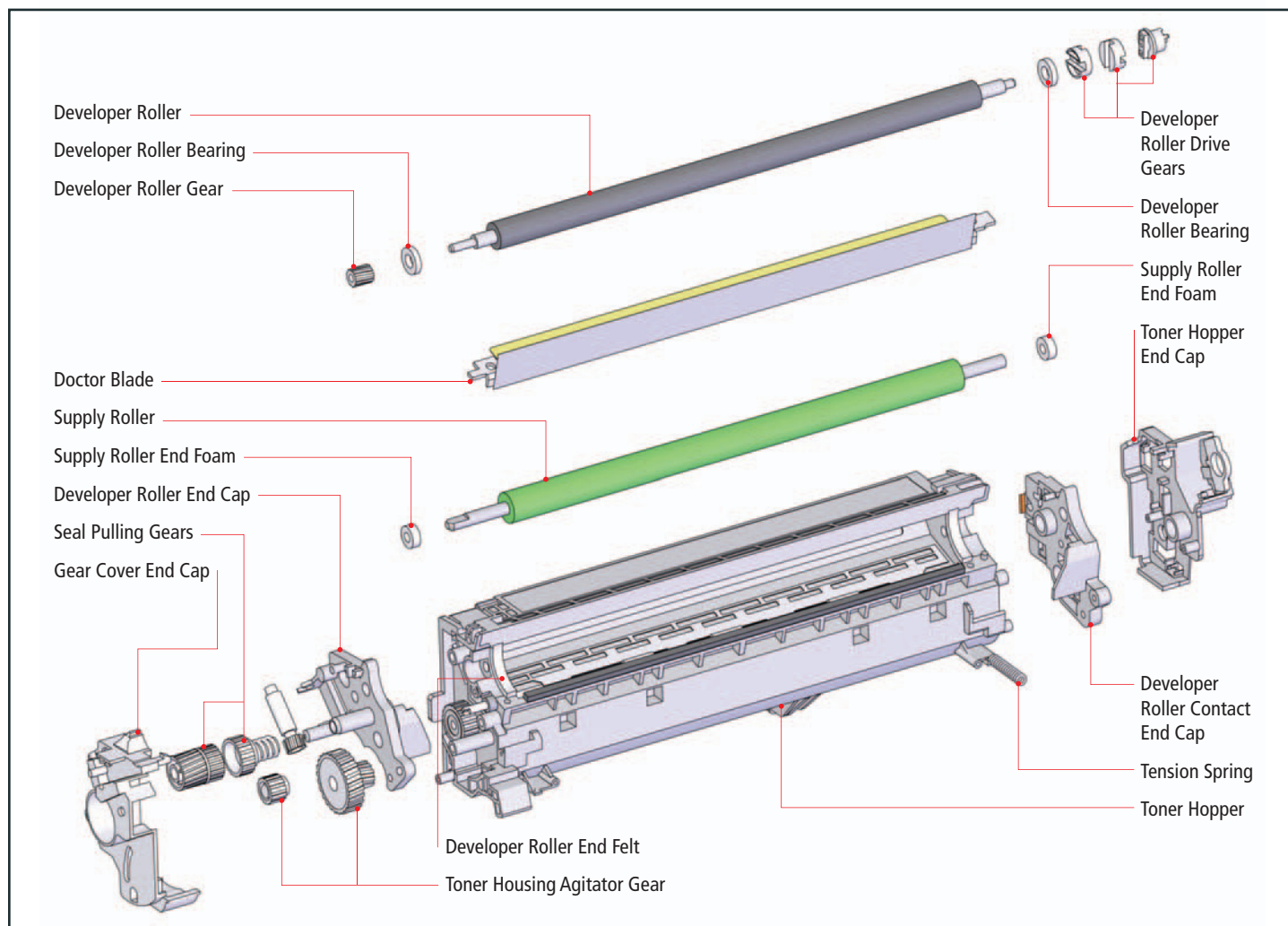
Benefits of Chemical Toners

- Conventional sub-7 micron toner expensive to make
- Non sub-7 micron toner can result in poor yield and over filling of the waste hopper

HP CP3525/CM3530	
DESCRIPTION	PART NUMBER
Dedicated Chips	Coming soon
HP CP3525 Toner Black 220 gr.	20513
HP CP3525 Toner Black 130 gr.	20537
HP CP3525 Toner Cyan	20514
HP CP3525 Toner Magenta	20515
HP CP3525 Toner Yellow	20516
Drum	19828, 19328
Drum Shipping Cover	Coming soon
Plastic Insertion Seal	TBA
Sealing Fixture	TBA
Doctor Blade Installation Fixture	61033
Doctor Blade Shim	TBA
Doctor Blade Cleaning Fixture	TBA
Toner Hopper Fill Plug	61007

HP® CP3525™ Toner Hopper

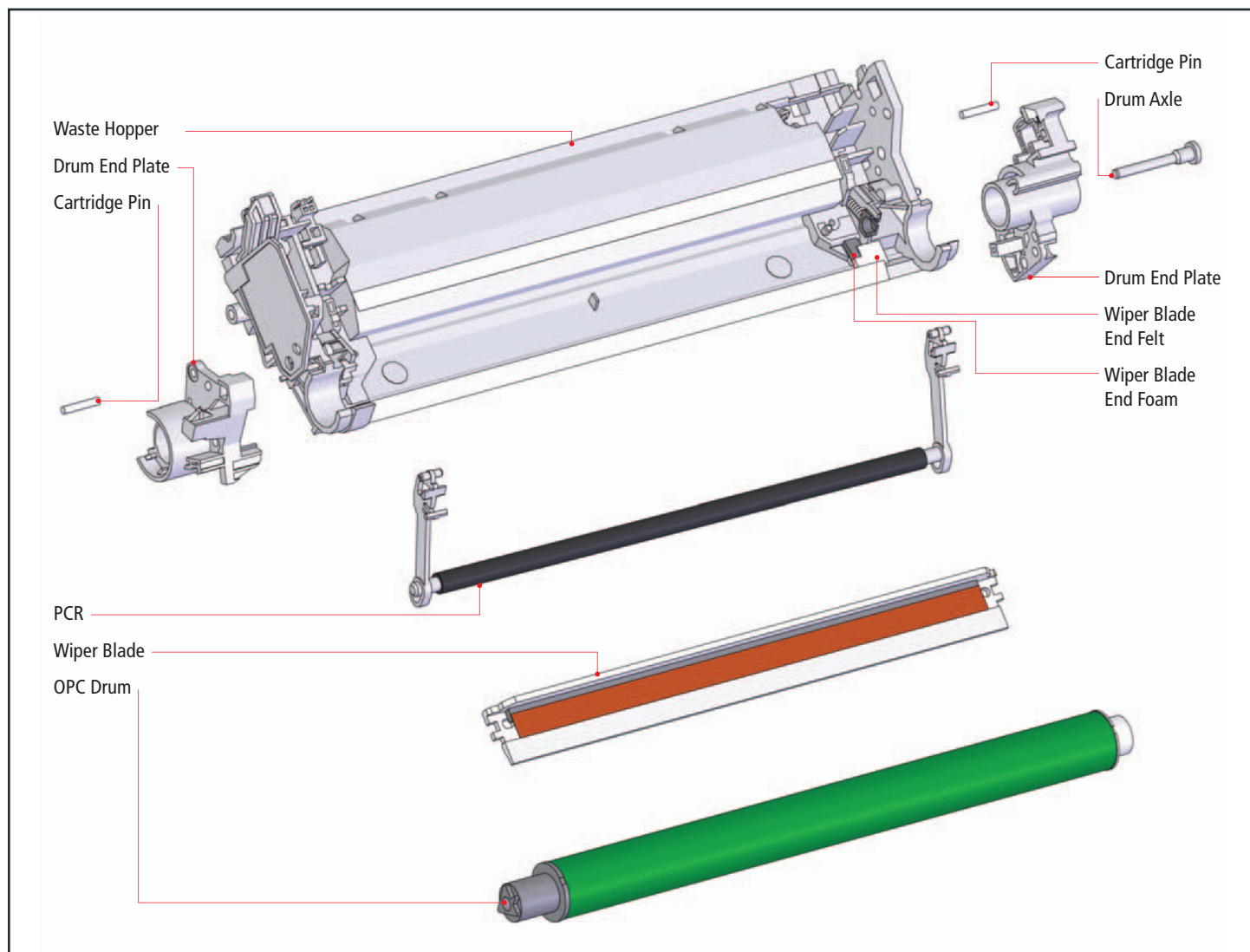
Critical Component Analysis



COMPONENT/DESCRIPTION	REPLACEMENT FREQUENCY
Developer Roller	3
Developer Roller Bearing	3
Doctor Blade	3
Supply Roller	3
Supply Roller Sealing Foam	3
Developer Roller End Felt	3
Developer Roller End Cap	3
Drive Gears	3
Gear housing End Cap	3
Retaining Blade	3
Developer Roller Contact End Cap	3
Doctor Blade Sealing Foam	3
Toner Hopper	3

HP® CP3525™ Waste Hopper

Critical Component Analysis



COMPONENT/DESCRIPTION	REPLACEMENT FREQUENCY
Waste Hopper	3
Wiper Blade Sealing Foam	3
Drum Bearing End Cap	3
Wiper Blade	2
PCR	3
OPC Drum	2
Chip	1
Drum Bearing End Cap	3
Wiper Blade End Felt	3
Wiper Blade End Foam	3
Recovery Blade	3
Cartridge Pin	3